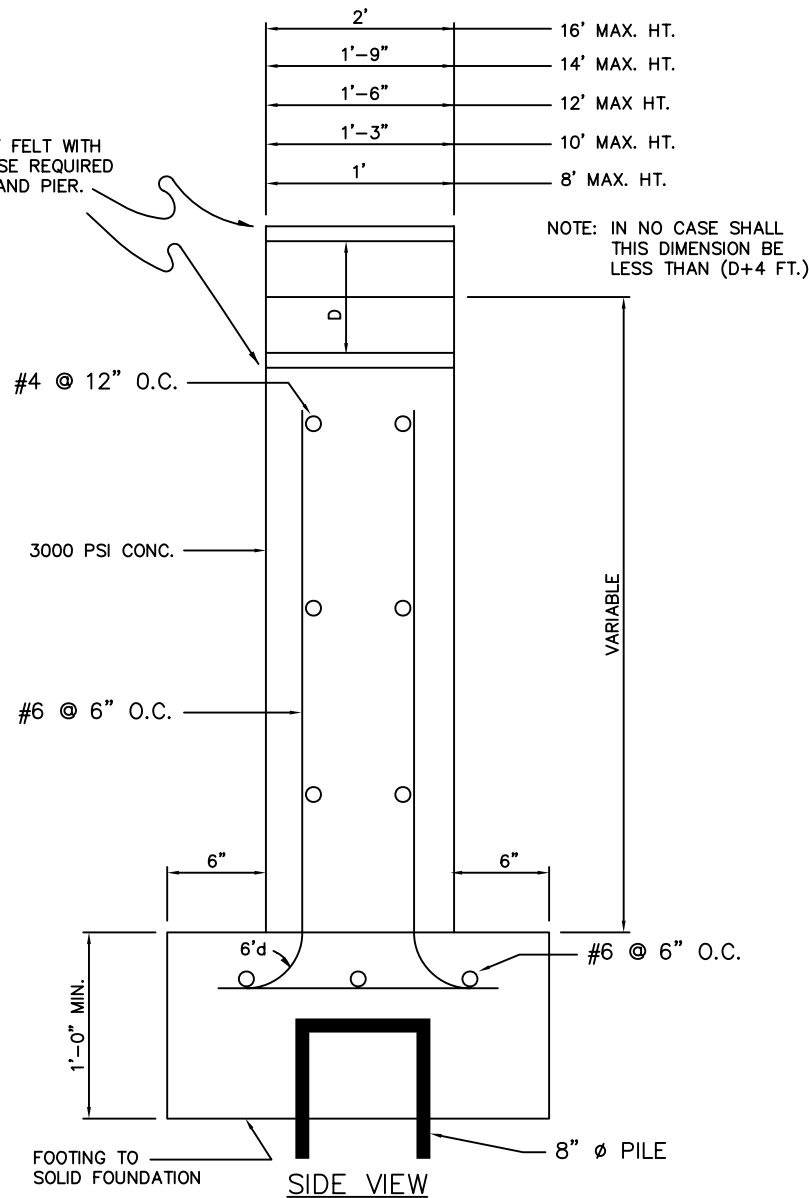


TWO LAYERS OF FELT WITH GRAPHITE GREASE REQUIRED BETWEEN PIPE AND PIER.

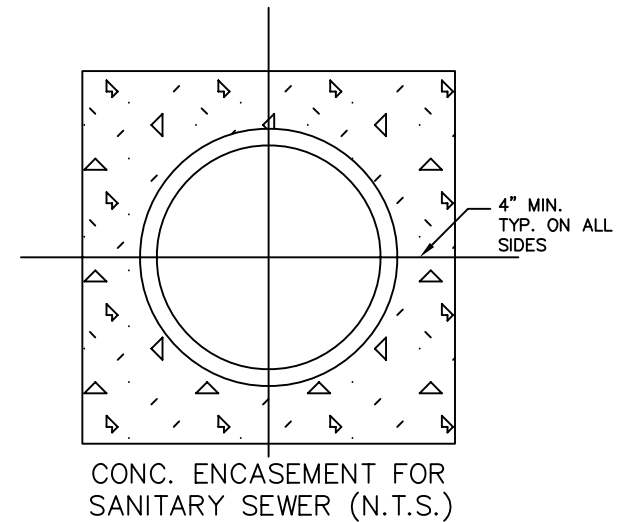


NOTE:
PILES ARE FOR USE ON ALL PIERS WHERE A SOLID NATURAL FOOTING CAN NOT BE REACHED

NOTE:
PILES TO BE DRIVEN TO A BEARING OF 15,000 LBS. AS FIGURED BY THE FOLLOWING FORMULA:

$$P = \frac{2WH}{S + 0.7 \left(\frac{H}{15} \right)} \text{ FOR GRAVITY HAMMERS (FOR OTHER TYPES SEE LCJWSC ENGINEER)}$$

P=BEARING IN POUNDS
W=WEIGHT (IN POUNDS) OF STRIKING PARTS OF HAMMER
H=HEIGHT OF FALL IN FEET
S=AVERAGE PENETRATION PER BLOW FOR LAST 5 TO 10 BLOWS



DATE:
7/1/93

REVISIONS

STANDARD DETAIL

LEXINGTON COUNTY
JOINT MUNICIPAL
WATER AND SEWER
COMMISSION

SCALE:
NTS

CONCRETE PIER DETAIL
(THIS IS TO BE USED
FOR ALL CREEK CROSSINGS)

FILE NO. WL009