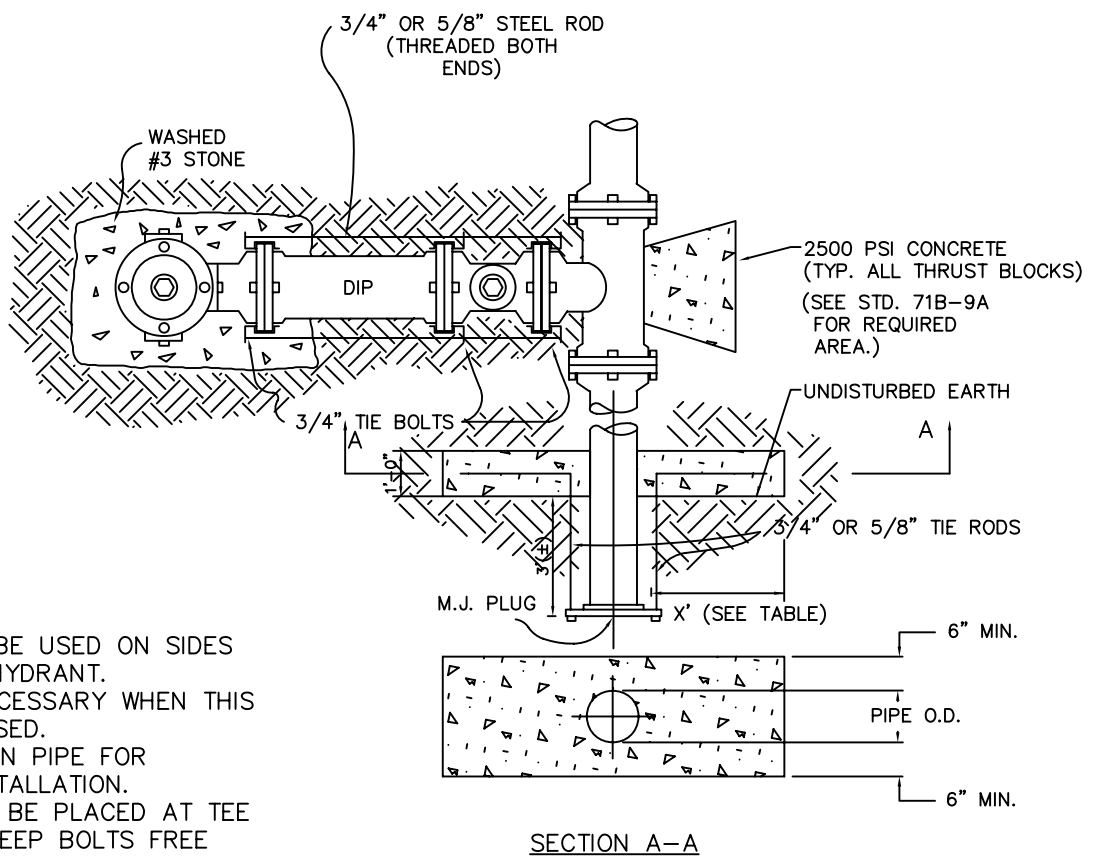


PIPE Ø	" X' "
6"	1'-0"
8"	1'-6"
10"	2'-3"
12"(MAX.)	3'-0"

NOTES:

1. TIE RODS TO BE USED ON SIDES OF PIPE AT HYDRANT.
2. NO BLOCK NECESSARY WHEN THIS METHOD IS USED.
3. USE CAST IRON PIPE FOR HYDRANT INSTALLATION.
4. CONCRETE TO BE PLACED AT TEE AS SHOWN, KEEP BOLTS FREE OF CONCRETE.
5. APPROVED RETAINER GLANDS MAY BE USED ON D.I.P. IN LIEU OF THE TIE-RODS (MIN. CLASS 52 REQUIRED).



DATE: 7/1/93	REVISIONS	STANDARD DETAIL	LEXINGTON COUNTY JOINT MUNICIPAL WATER AND SEWER COMMISSION
	9/1/97 MISC. REV.		
SCALE: NTS		TIE ROD & DEAD HEAD DETAIL	FILE NO. WL005