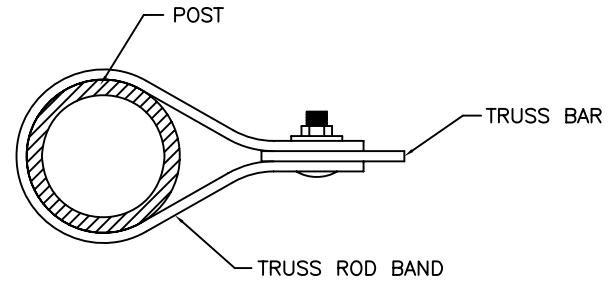
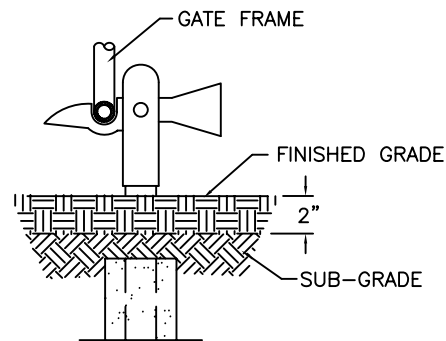


TYPICAL STRETCHER BAR BAND
NOT TO SCALE



TYPICAL TRUSS ROD BAND
NOT TO SCALE



TYPICAL GATE KEEPER
NOT TO SCALE

DATE: 12/7/2004	REVISIONS	STANDARD DETAIL	LEXINGTON COUNTY JOINT MUNICIPAL WATER AND SEWER COMMISSION
SCALE: NTS			FILE NO. SP006J
		FENCE DETAILS	