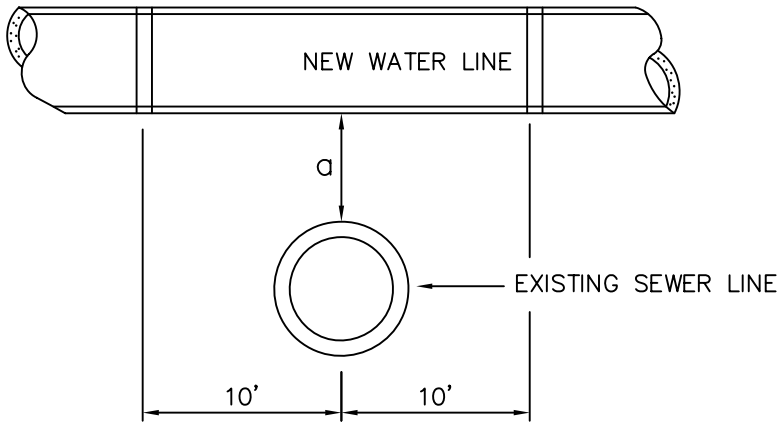
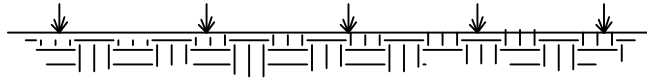


PLAN VIEW FOR NEW WATER LINE OVER OR UNDER NEW SEWER LINE W/LESS THAN 18" CLEARANCE, OR PROVIDE WATERTIGHT CARRIER PIPE FOR SEWER TO 10' EA. SIDE OF CROSSING



= LESS THAN 18", NEW WATER AND EXISTING SEWER LINE (OVER OR UNDER), THE WATER MAIN SHALL BE SPACED SO JOINTS ARE SPACED @ 10' FROM CROSSING

NOTE: SEE STANDARD SPECIFICATIONS SECTION 3.3

LEXINGTON COUNTY  
JOINT MUNICIPAL  
WATER AND SEWER  
COMMISSION

FILE NO. WLO12

STANDARD DETAIL

FERROUS MATERIALS AND JOINT REQUIREMENTS FOR WATER LINE AND SEWER LINE CROSSINGS

REVISIONS

9/1/97 MISC. REVISIONS

DATE:

7/1/93

SCALE:

NTS