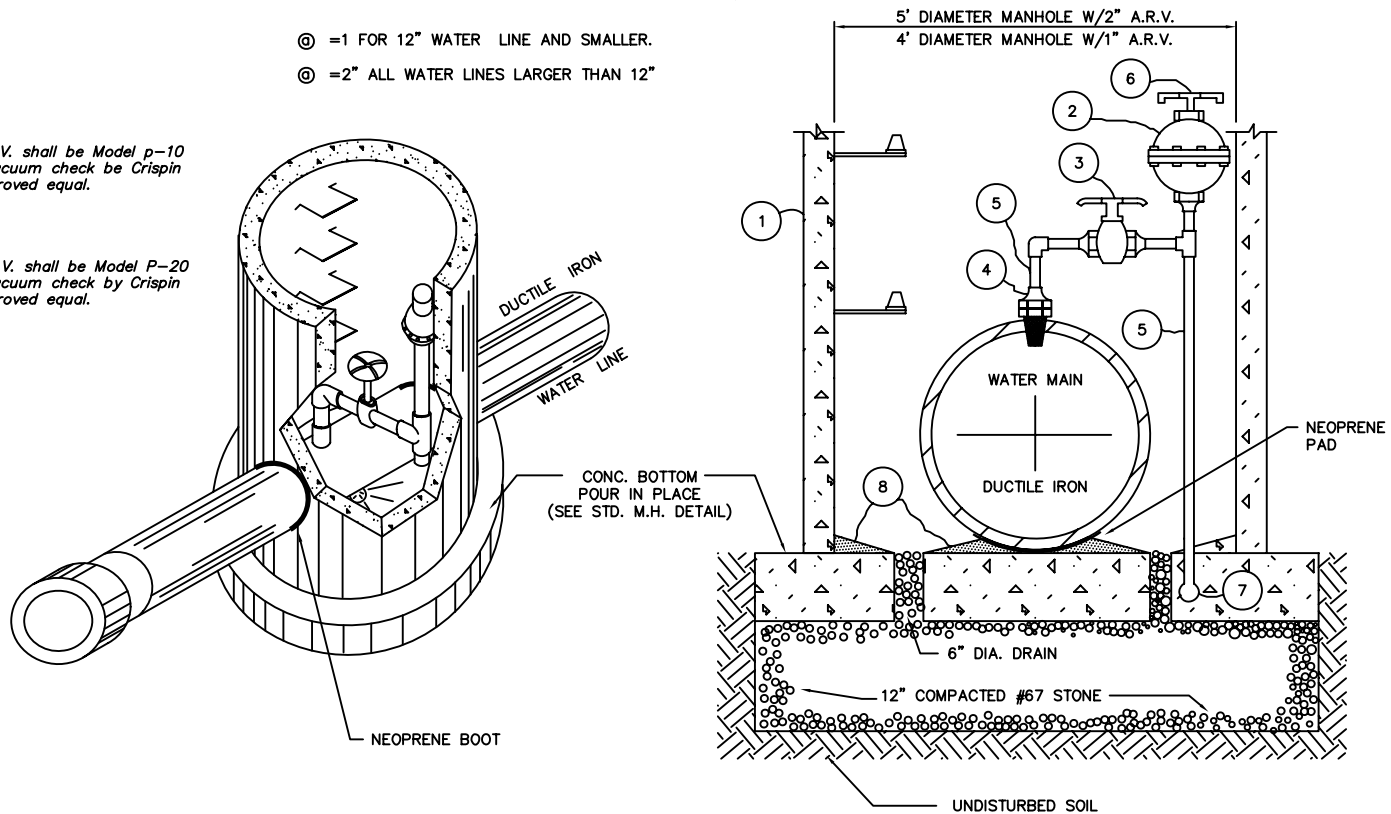


- 1.) PRECAST MANHOLE, SEE STANDARD DETAIL 71B-4.
- 2.) ② AIR RELEASE VALVE W/ VACUUM CHECK UNIT.
- 3.) ② GATE VALVE.
- 4.) ② CORPORATION STOP (i.e. MUELLER H-10045).
- 5.) ② IPS THREAD RED BRASS PIPE AND FITTINGS.
- 6.) TRASH HOOD.
- 7.) PIPE CAP.
- 8.) GROUT, 1/8" / 1'-0" MIN. SLOPE TO DRAIN

② =1 FOR 12" WATER LINE AND SMALLER.  
 ② =2" ALL WATER LINES LARGER THAN 12"

NOTE:  
 1" A.R.V. shall be Model p-10  
 with vacuum check by Crispin  
 or approved equal.

2" A.R.V. shall be Model P-20  
 with vacuum check by Crispin  
 or approved equal.



DATE: 7/1/93	REVISIONS	STANDARD DETAIL	LEXINGTON COUNTY JOINT MUNICIPAL WATER AND SEWER COMMISSION
SCALE: NTS			AIR RELEASE VALVE W/ VACUUM CHECK UNIT IN PRECAST MANHOLE